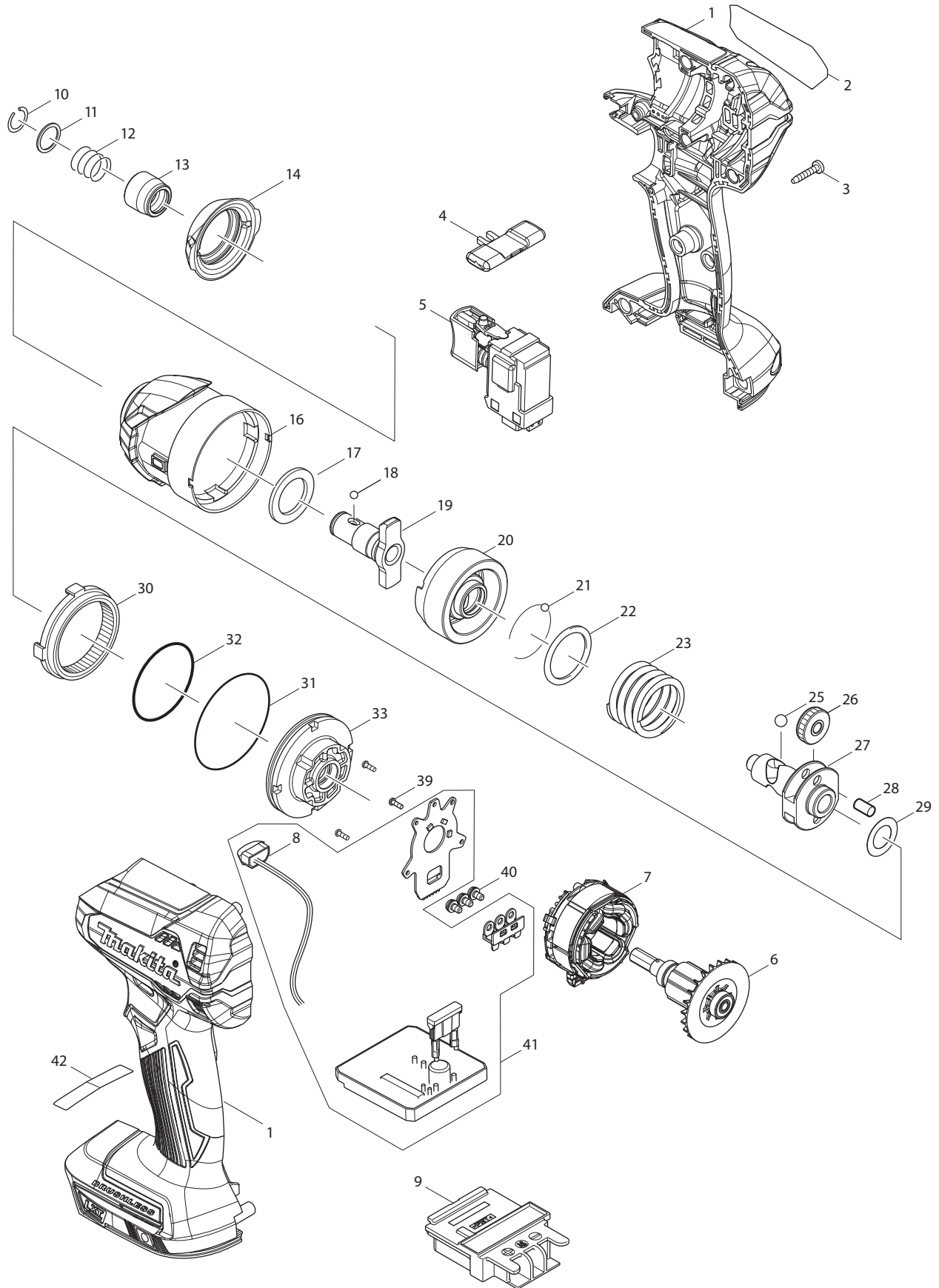




08 - 2016
DTD153Z / DTD153RME / DTD153SYE
18V LXT Brushless 1/4" Impact Driver



PARTS LIST

| Item No | Type | Part No | Description | Qty | Unit |
|---------|------|----------|-----------------------|-----|------|
| 001 | | 183E34-9 | HOUSING SET | 1 | SET |
| 001 | INC. | 263005-3 | RUBBER PIN 6 | 2 | PC. |
| 001 | INC. | 252126-6 | HEX. LOCKING NUT M4-7 | 2 | PC. |
| 002 | 2 | 857L39-4 | NAME PLATE F/DTD153 | 1 | PC. |
| 003 | | 266429-2 | TAPPING SCREW 3X16 | 9 | PC. |
| 004 | | 455053-8 | F/R CHANGE LEVER | 1 | PC. |
| 005 | 2 | 141N42-0 | SWITCH COMPLETE | 1 | PC. |
| 005 | 3 | 143975-1 | SWITCH COMPLETE | 1 | PC. |
| 006 | | 619404-1 | ROTOR | 1 | PC. |
| 007 | | 629224-5 | STATOR | 1 | PC. |
| 008 | | 620557-1 | LED CIRCUIT | 1 | PC. |
| 009 | | 643860-3 | TERMINAL | 1 | PC. |
| 010 | | 231951-8 | RING SPRING 11 | 1 | PC. |
| 011 | | 267085-1 | FLAT WASHER 12 | 1 | PC. |
| 012 | | 233005-7 | COMPRESSION SPRING 13 | 1 | PC. |
| 013 | | 326068-1 | BIT SLEEVE | 1 | PC. |
| 014 | | 424888-8 | BUMPER | 1 | PC. |
| 016 | | 143957-3 | HAMMER CASE COMPLETE | 1 | PC. |
| 017 | | 261151-6 | NYLON WASHER 19 | 1 | PC. |
| 018 | | 216040-0 | STEEL BALL 3.5 | 2 | PC. |
| 019 | | 326563-1 | ANVIL M | 1 | PC. |
| 020 | | 326564-9 | HAMMER | 1 | PC. |
| 021 | | 216040-0 | STEEL BALL 3.5 | 24 | PC. |
| 022 | | 267175-0 | FLAT WASHER 24 | 1 | PC. |
| 023 | | 234251-5 | COMPRESSION SPRING 25 | 1 | PC. |
| 025 | | 216041-8 | STEEL BALL 5.6 | 2 | PC. |
| 026 | | 227362-3 | SPUR GEAR 22 | 2 | PC. |
| 027 | | 326562-3 | SPINDLE | 1 | PC. |
| 028 | | 256253-1 | PIN 5 | 2 | PC. |
| 029 | | 253314-8 | THIN WASHER 15 | 1 | PC. |
| 030 | | 227378-8 | INTERNAL GEAR 51 | 1 | PC. |
| 031 | | 213606-7 | O RING 48 | 1 | PC. |
| 032 | | 213507-9 | O RING 40 | 1 | PC. |
| 033 | | 143958-1 | BEARING BOX COMPLETE | 1 | PC. |
| 039 | | 266490-9 | TAPPING SCREW PT 2X6 | 3 | PC. |
| 040 | | 652069-6 | FLAT HEAD SCREW M3X6 | 3 | PC. |
| 041 | 2 | 620J73-3 | CONTROLLER | 1 | PC. |
| 041 | 2 | INC. | Item No. 8 | | |

| Item No | Type | Part No | Description | Qty | Unit |
|---------|------|----------|--|-----|------|
| 043 | | 857L40-9 | DTD153 SERIAL NO. LABEL (added) | 1 | PC. |
| 100 | | 266622-8 | + TRUSS HEAD SCREW M4X12 (F/Hook, Item No A02) | 1 | PC. |
| A02 | | 346449-3 | HOOK | 1 | PC. |
| A03 | | 450128-8 | BATTERY COVER | 1 | PC. |
| A04 | | ---- | BATTERY CHARGER | | |
| A05 | | ---- | 18V LI-ION BATTERY | | |
| A10 | | 197043-2 | TOOL CATCHER SET | 1 | PC. |
| A11 | | 194633-2 | ADJUSTABLE DEPTH GAUGE SET (STOPPER) | 1 | PC. |
| A12 | | 122758-2 | STOPPER ASS'Y | 1 | PC. |
| A13 | | 763067-6 | 3/8" DRILL CHUCK | 1 | PC. |
| A14 | | 763415-9 | CHUCK KEY (F/DRILL CHUCK #763067-6) | 1 | PC. |
| A15 | | 763418-3 | CHUCK KEY | 1 | PC. |
| A16 | | 784643-3 | CONNECT BIT 6.35-44 | 1 | PC. |
| A17 | | 191881-4 | 3/8" DRILL CHUCK ATTACHMENT SET | 1 | PC. |
| A17 | INC. | | Item No. A15-16 | | |
| A18 | | 194250-8 | 3/8" KEYLESS CHUCK ATTACHMENT -PKG | 1 | PC. |
| A18 | INC. | | Item No. A16 | | |
| A19 | | 763198-1 | 3/8" KEYLESS CHUCK ATTACHMENT -BULK | 1 | PC. |
| A19 | INC. | | Item No. A16 | | |
| A20 | | 192077-0 | 3/8" KEYLESS CHUCK ATTACHMENT -PKG | 1 | PC. |